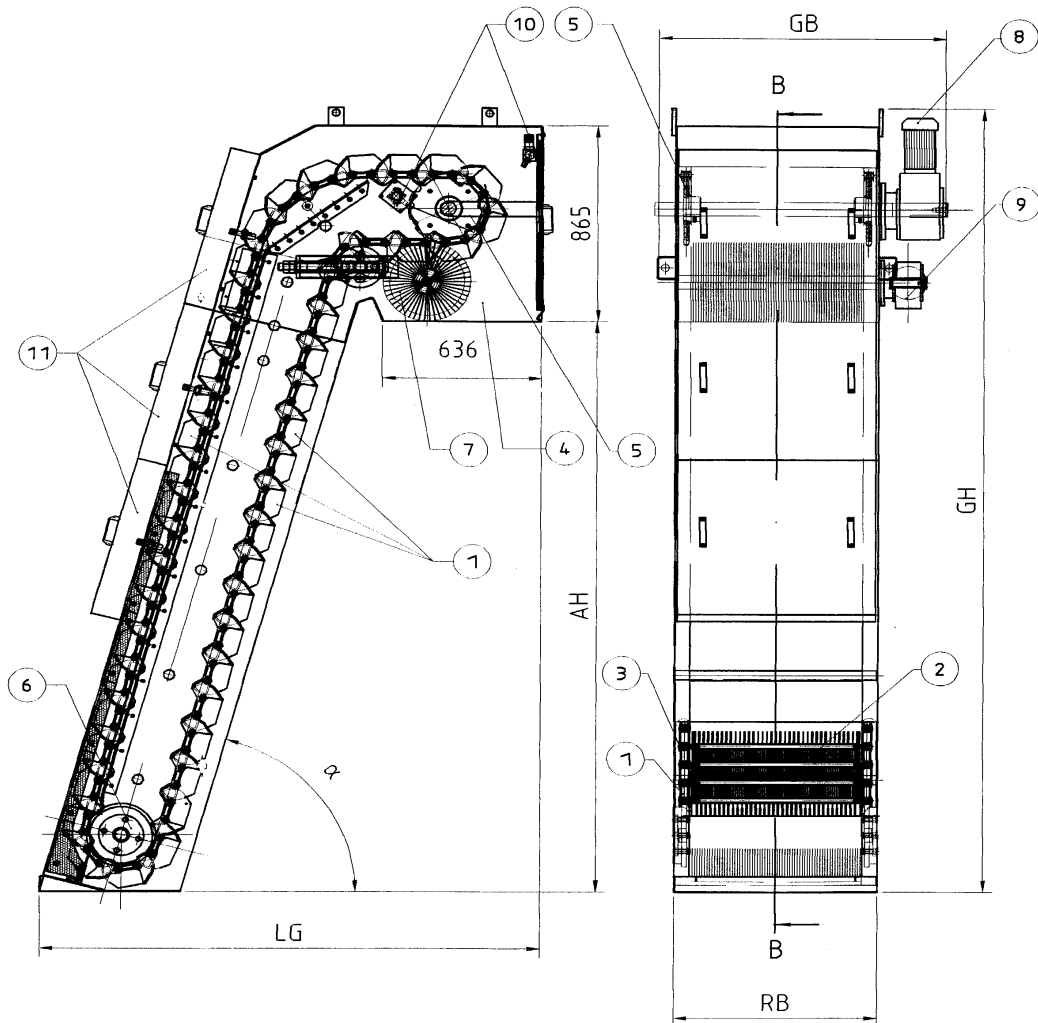


**Machine drawing MC**  
**Angle of installator 75 °**

Project: Stjernholm  
 Inquirynumber: DK - 02.023



**Dimensions**

Screen width	RB	1945 mm
Filter width	FB	1809 mm
Total height of machine	GH	9467 mm
Total length of machine	LG	3400 mm
Discharge level above channel bottom	AH	8602 mm
Slot width	S	3 mm